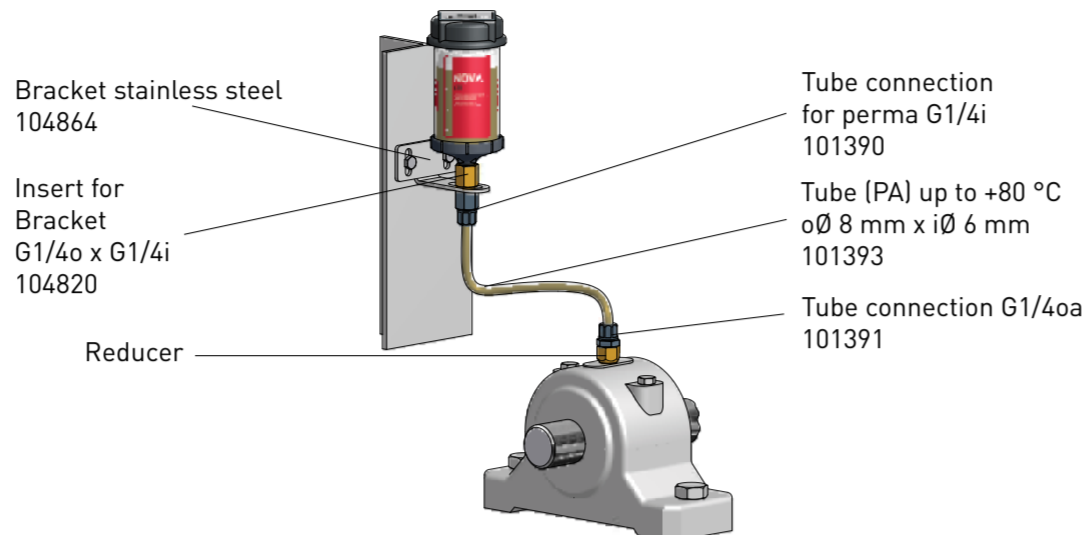


perma NOVA - Quick Start Guide

1. Predefine installation / Select lubricant, discharge period + connecting parts



Examples: Bearing lubrication



Remote mounting → for lube-points with vibration, limited mounting space, high temperature

Select a suitable lubricant for perma NOVA

→ e. g. multipurpose grease SF01

Select discharge period

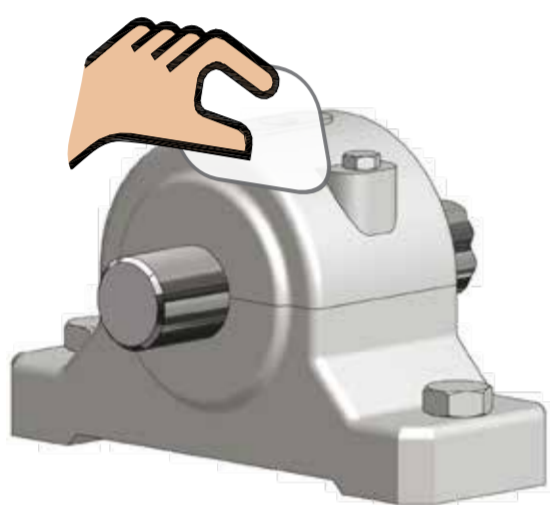
→ e. g. with perma SELECT Software
(refer to our product catalog for details)

Possible mounting positions:

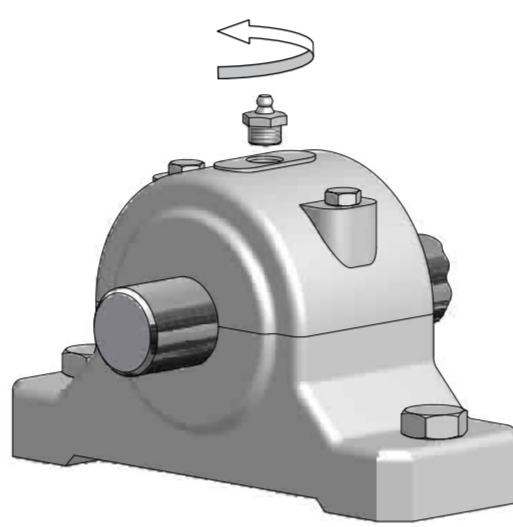


* This position is only possible in dry environments

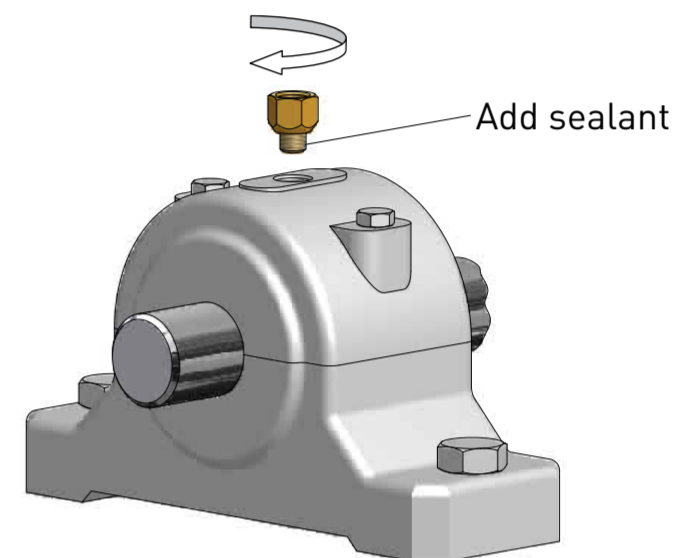
2. Prepare lube-point



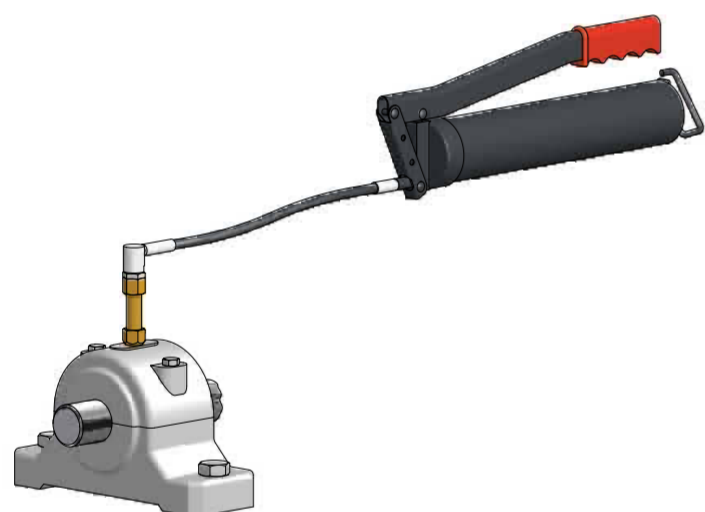
Clean lube-point



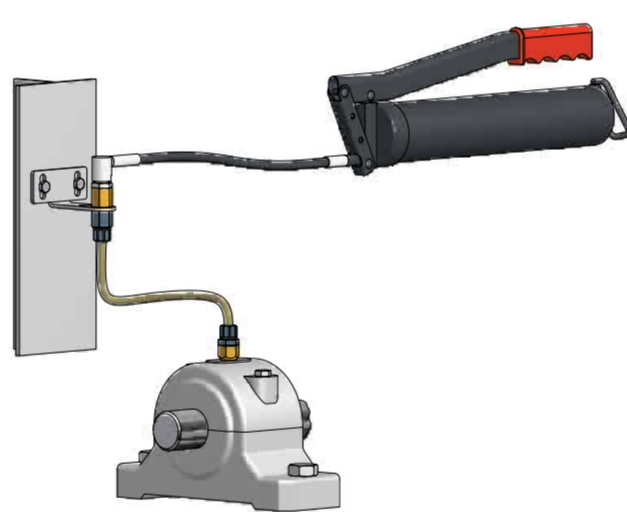
Remove grease fitting



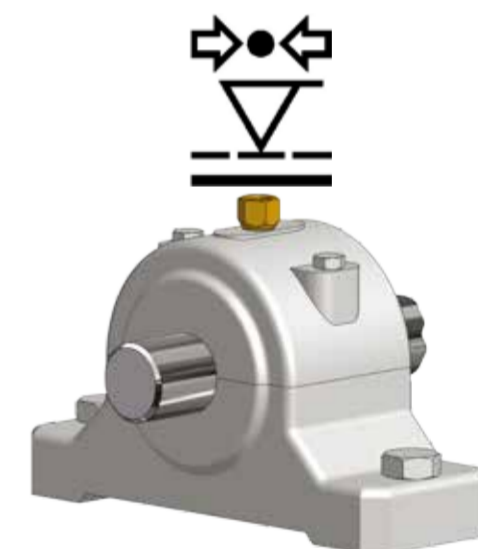
Add reducer and tubes (if required)



For direct mounting:
Prefill lube-point and any connecting parts
(use the same grease that is contained in the lubrication system)

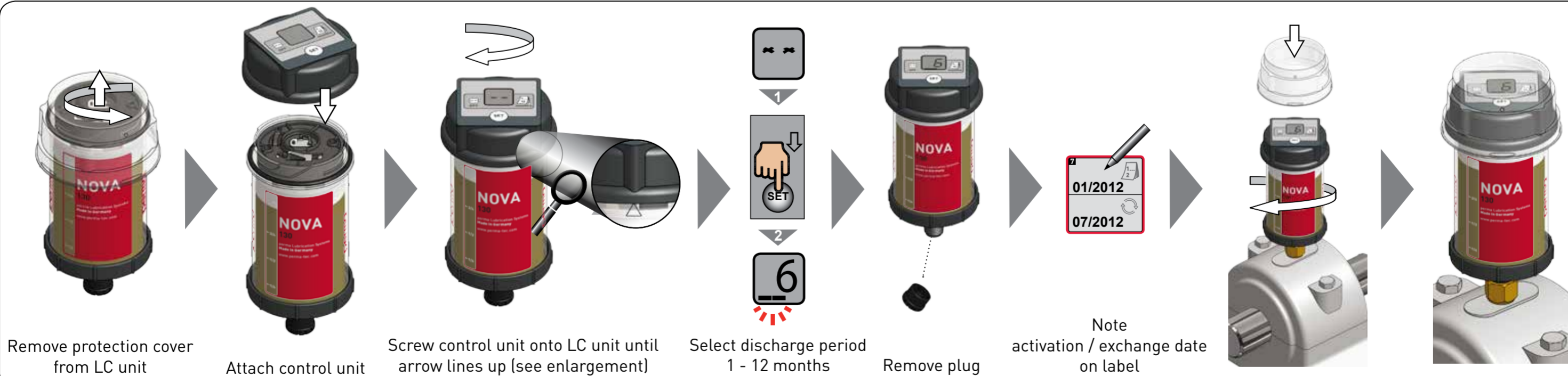


For remote mounting:
Prefill lube-point and any grease lines / connections
(use the same grease that is contained in the lubrication system)



Pressure check: Lube-point / all connecting parts
(refer to perma NOVA installation guide for details)

3. Activation / Installation of lubrication system



→ www.perma-tec.com

perma