

3 1/2 DIGITAL PANEL METER- 1/32 DIN

CSMS-321

FEATURE

- Measuring DCA, DCV, ACA, ACV, Temperature
- Accuracy: $\pm 0.1\%$ (DC), $\pm 0.25\%$ (AC), $\pm 1\%$ (Thermocouple), $\pm 0.2\%$ (Pt100)
- 3 1/2 Digital display: 1999
- Easy-to-wire, screw type terminal
- Outside dimensions is 1/32 DIN standard (48x24mm)
- High stability & low cost



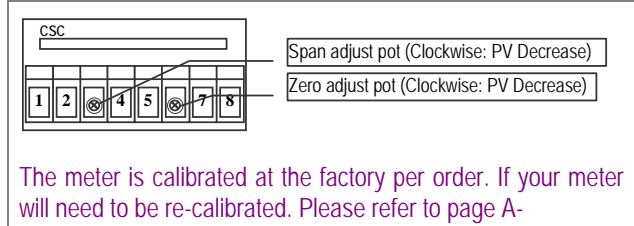
MEASUREMENT

Measuring Range	Resolution	Input Impedance	Variable to be Measured
Current	199.9 μ A	0.1 μ A	DC AC
	1.999 mA	0.001 mA	
	19.99 mA	0.01 mA	
	199.9 mA	0.1 mA	
	1.999 A	0.001 A	
	19.99 A	0.01 A	
Voltage	199.9 mV	0.1m V	DC AC
	1.999 V	0.001 V	
	19.99 V	0.01 V	
	199.9 V	0.1 V	
Temp.	T/C: K 0-1200	1M ohm	DC AC
	T/C: J 0-750	1M ohm	
	Pt100: -40.0-199.9	1M ohm	
	Pt100: 0-600	1M ohm	

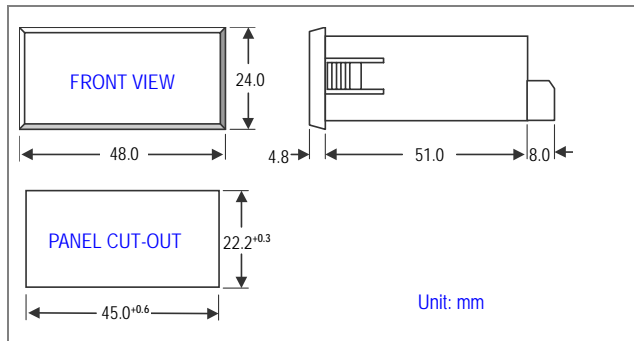
SPECIFICATION

- Measuring:** DC: $\pm 0.1\%$ F.S. ± 1 digit
AC: $\pm 0.25\%$ F.S. ± 1 digit
T/C(K,J): $\pm 1\%$ F.S. ± 1 digit
Pt100 : $\pm 0.2\%$ F.S. ± 1 digit
- Span adjustment:** 5% of R.O.
- Zero adjustment:** 2% of R.O.
- Sampling time:** About 3 cycles/sec.
- Polarity display:** When input is negative "-"
- Over-range indication:** "1" display
- Max. input over capability:** Voltage: 1.2 x rated continuous
1.5 x rated for 10 seconds
Current: 1.5 x rated continuous
- Decimal point:** Specify
- Operation temperature:** 0-60
- Operation relative humidity:** 20-95 %R.H.
- Temperature coefficient:** 100 PPM/ (0-50)
50 PPM/ (23 \pm 3)
- Storage temperature:** -10-70
- Power Supply:** 5Vdc $\pm 5\%$ (Aux. Power(-) & Signal input(-) are common inside)
Option: DC 5V, 12V, 24V $\pm 5\%$ (Isolated)
- Power consumption:** 700mW
- Weight:** About 55g

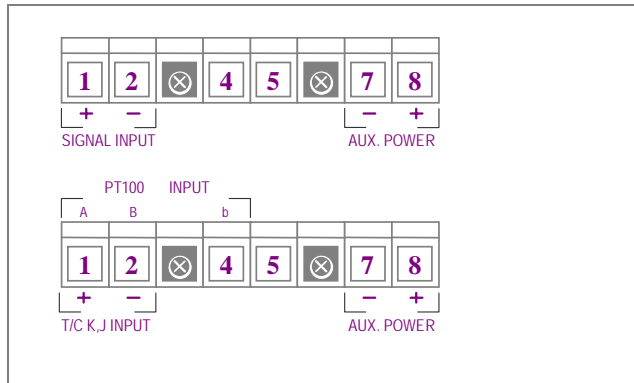
ADJUSTMENT



DIMENSIONS



CONNECTION DIAGRAM



ORDER INFORMATION

CSMS-321 Input Type - Input Range - Aux. Power

CODE	INPUT TYPE	CODE	INPUT RANGE	CODE	INPUT RANGE	CODE	INPUT RANGE	CODE	AUX. POWER
D	DC	A	199.9 μ A	1	0-50 mV	K	K 0-1200	D	DC 5V
A	AC	B	1.999 mA	2	199.9 mV	J	J 0-750	D5	DC 5V (Isolated)
T	Temperature	C	19.99 mA	3	1.999 V	P1	Pt100 -40.0-199.9	D12	DC 12V (Isolated)
		D	199.9 mA	4	19.99 V	P2	Pt100 0-600	D24	DC 24V (Isolated)
		E	1.999 A	5	199.9 V	O	Specify	O	Specify
		F	4-20 mA	6	250 V				
		O	Specify	O	Specify				