

**Whip Antenna Operates From 806 MHz to 880 MHz
 With a Nominal 0 dBi Gain MX Input Connector
 IP67 Rated**

Fairview Microwave's ¼ wave portable omni whip antennas feature a textured black finish and a strain-relief base to ensure durability and repeatable RF performance. Our ¼ wave portable omni whip antennas are available with operating frequencies as low as 400 MHz and as high as 960 MHz. These antennas are offered with gain ranges from unity to 2 dBi. The omni-directional radiation pattern and IP67 rating make these antennas ideal for mobile radio communications.

- Operating frequencies from 400 MHz to 960 MHz
- Gain ranges from unity to 2 dBi
- VSWR less than 2: 1, in most cases
- 50 Ohm Impedance
- IP67 Rated
- Variety of connector types available (SMA Female, MX, or MD) for use in many portable handheld radio applications. See below for common brand & connector combinations.
- MX (1/4-32 x 7/32) – Commonly used in: Motorola, Radius, Saber, Saber+, Spirit, Expo, Kenwood, Maxon, Midland, Wilson, GE Monogram, and Vertex Standard.
- MD (M7 x 1.0) – Commonly used in: GE
- SMA Female (SF) – Commonly used in: Motorola, Visar, and Kenwood

Electrical Specifications*

Description	Min	Typ	Max	Units
Frequency	806		880	MHz
Impedance		50		Ohms
Nominal Gain	0			dBi
Input VSWR			2:1	

* Values at 25°C, sea level

Mechanical Specifications

Size	
Length	3.03 in [76.96 mm]
Width	0.58 in [14.73 mm]
Weight	0.025 lbs [11.34 g]

Environmental Specifications

Temperature	
Operating Range	-20 to +65 deg C
Environment	IP67

Compliance Certifications (visit www.FairviewMicrowave.com for current document)

RoHS Compliant	Yes
----------------	-----

Plotted and Other Data

- Notes:
- Values at 25 °C, sea level



Features:

- Design: Whip Portable
- Frequency Range: 806 to 880 MHz
- Polarization: Vertical
- Interface 1: MX
- Number of Output Ports: 1

Fairview Microwave
 1130 Junction Dr. #100
 Allen, TX 75013
 Tel: 1-800-715-4396 / (972) 649-6678
 Fax: (972) 649-6689
www.fairviewmicrowave.com
sales@fairviewmicrowave.com

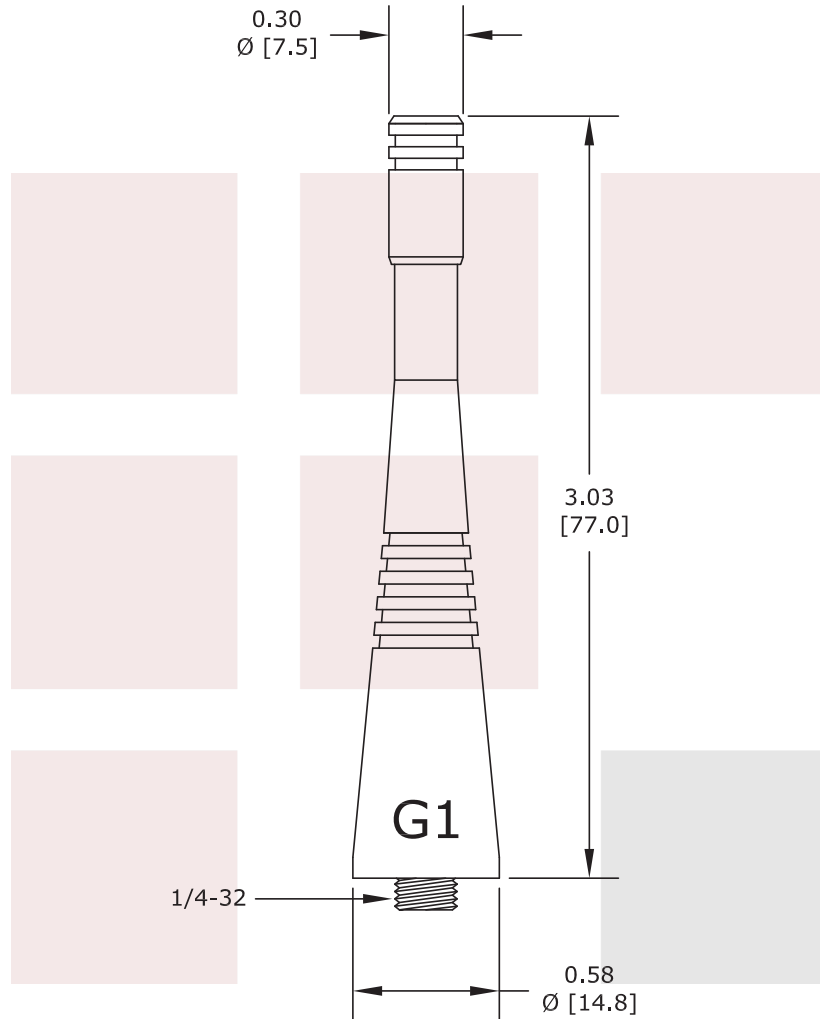
Whip Antenna Operates From 806 MHz to 880 MHz With a Nominal 0 dBi Gain MX Input Connector IP67 Rated from Fairview Microwave is in-stock and available to ship same-day. All of our RF/microwave products are available off-the-shelf from our ISO 9001:2008 certified facilities in Allen, Texas. Fairview Microwave is RF on-demand.

For additional information on this product, please click the following link: [Whip Antenna Operates From 806 MHz to 880 MHz With a Nominal 0 dBi Gain MX Input Connector IP67 Rated FMAN51155](#)

URL: <http://www.fairviewmicrowave.com/whip-antenna-0-dbi-mx-fman51155-p.aspx>

The information contained in this document is accurate to the best of our knowledge and representative of the part described herein. It may be necessary to make modifications to the part and/or the documentation of the part, in order to implement improvements. Fairview Microwave reserves the right to make such changes as required. Unless otherwise stated, all specifications are nominal. Fairview Microwave does not make any representation or warranty regarding the suitability of the part described herein for any particular purpose, and Fairview Microwave does not assume any liability arising out of the use of any part or documentation.





FAIRVIEW MICROWAVE INC. ALLEN, TX 75013 WWW.FAIRVIEWMICROWAVE.COM		NOTES: 1. UNLESS OTHERWISE SPECIFIED ALL DIMENSIONS ARE NOMINAL. 2. ALL SPECIFICATIONS ARE SUBJECT TO CHANGE WITHOUT NOTICE AT ANY TIME. 3. DIMENSIONS ARE IN INCHES [mm].			
TITLE Whip Antenna Operates From 806 MHz to 880 MHz With a Nominal 0 dBi Gain MX Input Connector IP67 Rated		DWG NO		CAGE CODE	
		FMAN51155		3FKR5	
CAD FILE	111414	SHEET	SCALE	N/A	SIZE
				A	2233