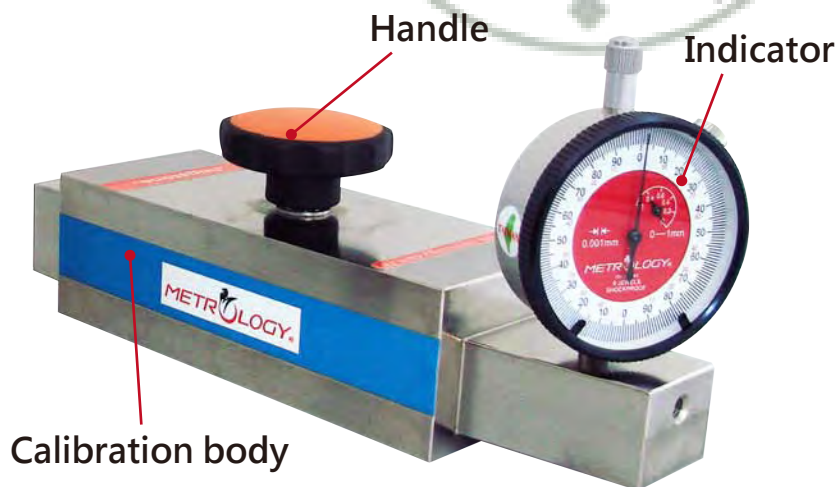
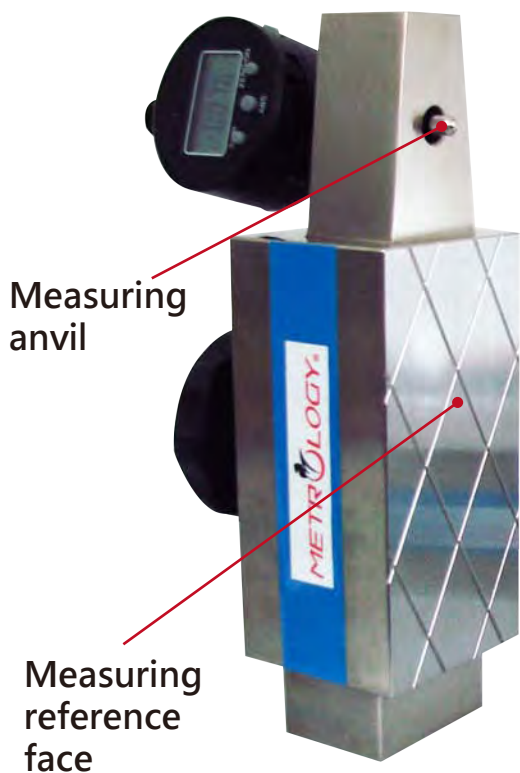


■ Surface Plate Repeat Checking Calibrator

PERFECT Series



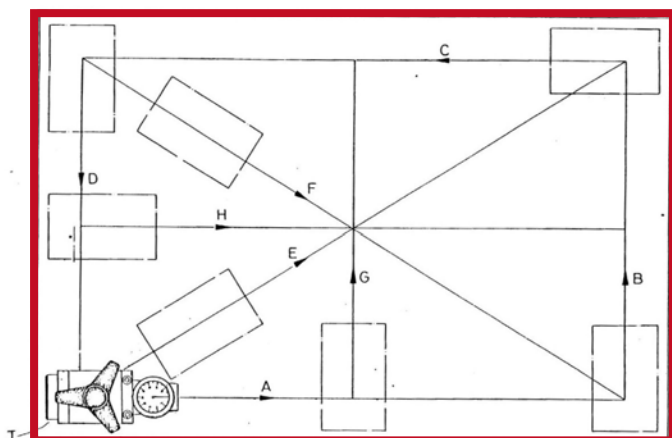
The best tool of length calibration
ISO International quality certificate



Model No.	Calibration Range	Type	Step	Remark
PLA-9001	Diagonal $L \geq 150 \leq 550\text{mm}$	米	50mm	Check local error of plate flatness
PLA-9002	Diagonal $L \geq 550 \leq 1100\text{mm}$		100mm	
PLA-9003	Diagonal $L \geq 1100 \leq 2200\text{mm}$	井	150mm	
PLA-9004	Diagonal $L \geq 2200 \leq 3300\text{mm}$		200mm	

Indicators are option for purchase depending on the requirements.

Measuring method diagram



Local error reference table

BS Local Error				
Grade	Calibration Result			
	mm	inch		
0	0.004	0.00015		
1	0.008	0.00030		
2	0.016	0.00060		
3	0.032	0.00120		
FS Local Error				
Diagonal Line	Calibration Result			
	mm	Grade: AA	Grade: A	Grade: B
≤ 800	0.9	1.5	2.8	
800-1500	1.2	1.8		3.0
1500-2200	1.5	2.0		4.0
2200-3000	1.9	2.5		5.0