

SMA MALE TO N FEMALE IMPEDANCE MATCHING PAD

SI1570

SPECIFICATIONS

ELECTRICAL:

FREQUENCY: 0-2 GHZ

IMPEDANCE: SMA/M: 50 OHMS
N/F: 75 OHMS

VSWR: 1.30:1 MAX

VOLTAGE DIVISION:

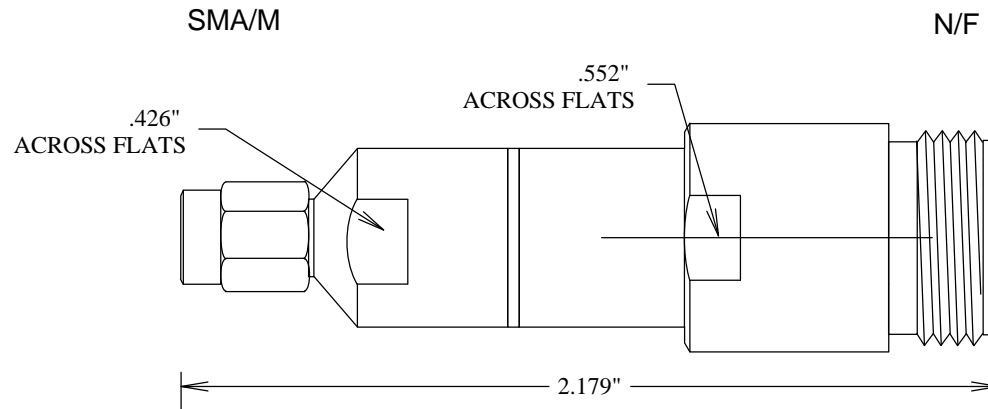
50~75 OHM: 4 dB

75~50 OHM: 7.5 dB

TEMPERATURE RANGE: -55 ° to +120°C

MECHANICAL:

ROHS COMPLIANT



FAIRVIEW MICROWAVE INC.

ALLEN, TX 75013 WWW.FAIRVIEWMICROWAVE.COM

TITLE

**SMA MALE TO N FEMALE
IMPEDANCE MATCHING PAD**

SIZE	CAGE CODE	DWG NO	REV
A	3FKR5	SI1570	--
SCALE		SHEET	

ALL DIMENSIONS IN inches(MM) Typical