

COUPLER N 700-2700 MHZ N-F'S

SMC4037

SPECIFICATIONS

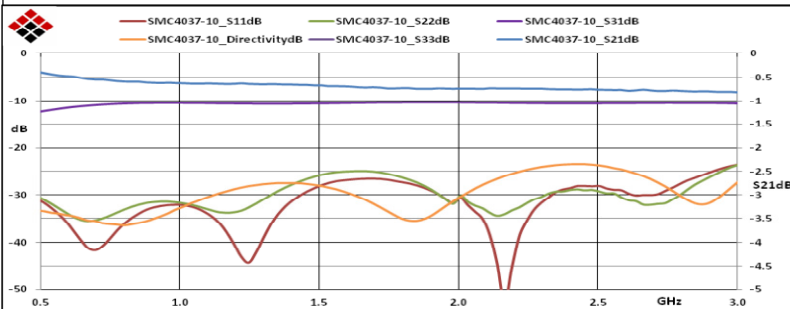
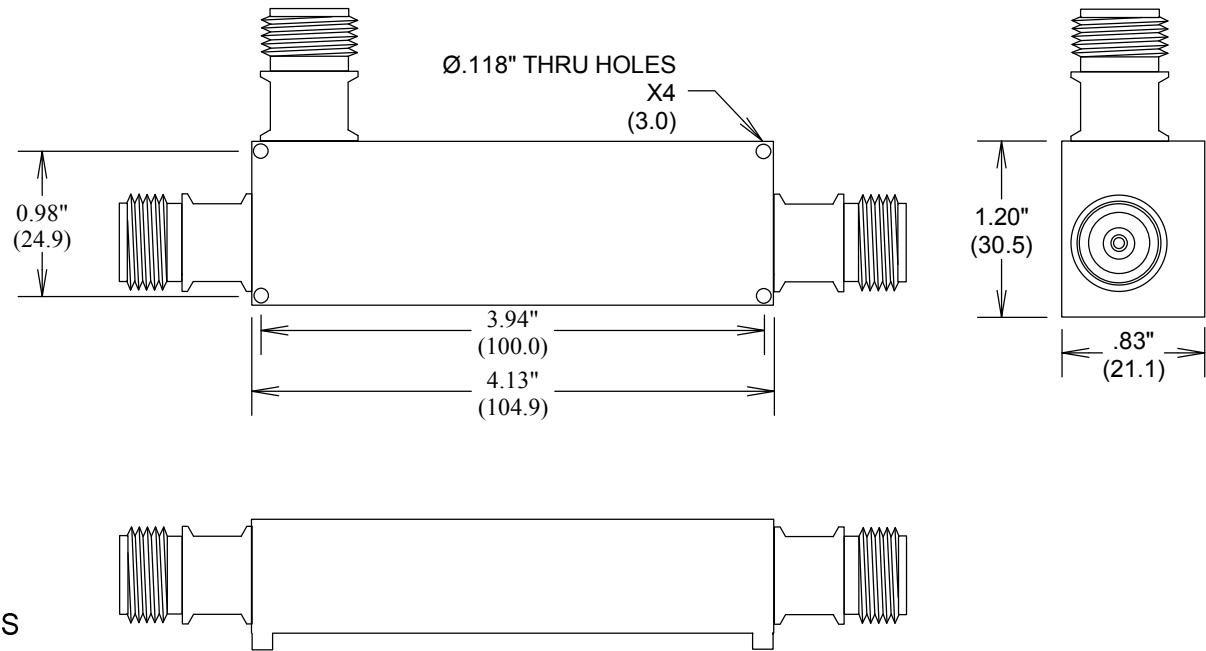
ELECTRICAL

FREQUENCY: 700-2700 MHZ
 DIRECTIVITY: 20 DB
 POWER: 60 W AVG
 IMPEDANCE: 50 OHMS
 VSWR: 1.25
 INSERTION LOSS: 0.5 DB
 AMPLITUDE BALANCE: ± 0.7 DB
 COUPLING:
 6 DB: 6 ± 0.5 DB
 10 DB: 10 ± 0.8 DB
 20 DB: 20 ± 1.0 DB
 30 DB: 30 ± 1.0 DB

MECHANICAL

MATERIALS BODY: ALUMINUM
 CONNECTORS: NICKEL PLATED BRASS
 CONTACTS: Au PLATED BeCu
 DIELECTRIC: TEFLON

INTERFACE: MIL-STD-348
 IN ACCORDANCE WITH: MIL-PRF-39012



ALL DIMENSIONS IN inches(MM) Typical

FAIRVIEW MICROWAVE INC.

ALLEN, TX 75013 WWW.FAIRVIEWMICROWAVE.COM

TITLE

COUPLER 700-2700 MHZ N-F'S

SIZE	CAGE CODE	DWG NO	REV
A	3FKR5	SMC4037	A
SCALE	SHEET		